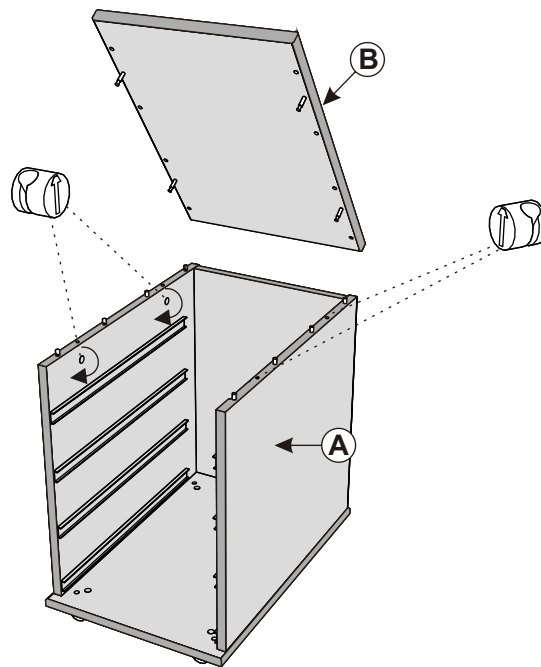


Montážní(y) návod 49.

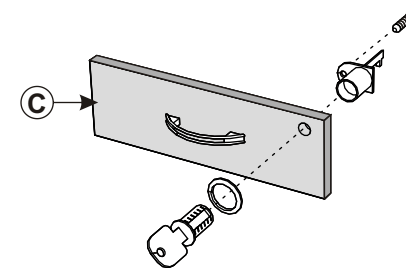
Assembly instructions 49.

Montageanleitung 49.

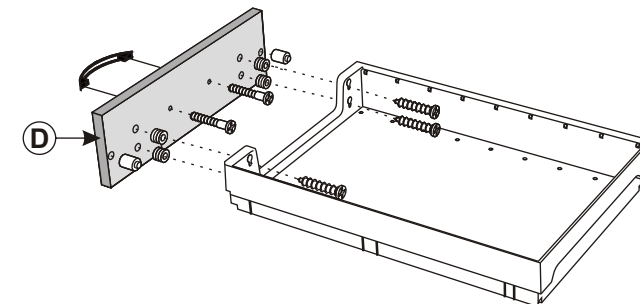
2.



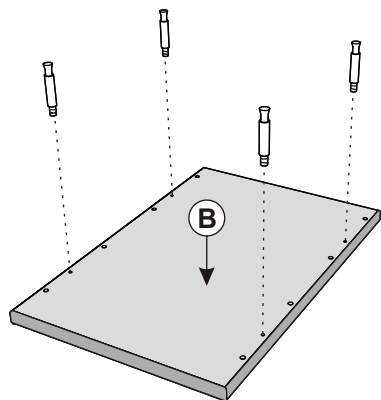
3.



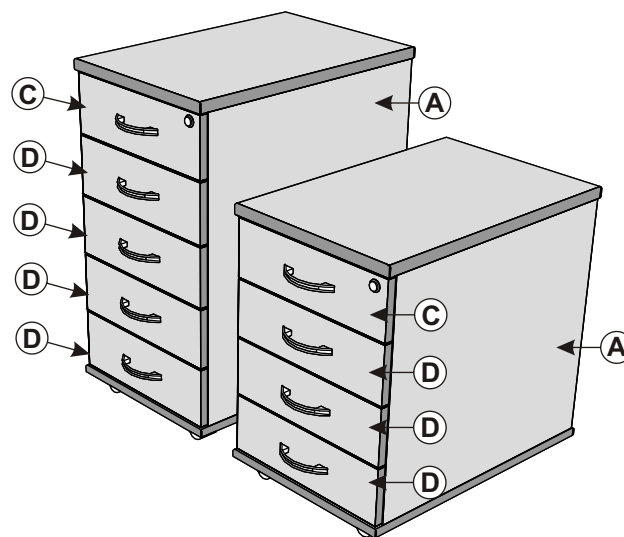
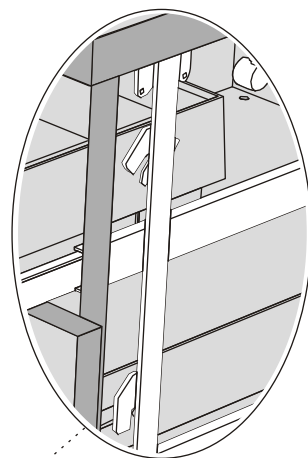
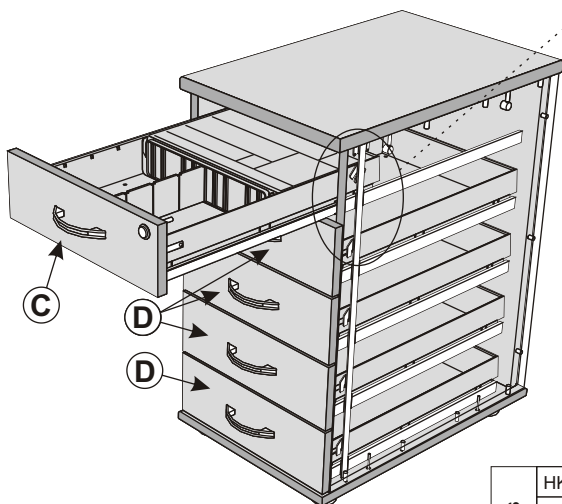
4.



1.



5.



| | | |
|-------|----------------------------------|---|
| HOBIS | HK 24 C N(P), DK 24 C N(P) | HK 24, X0N(P) 26 (X0N(P) 26 D), X24, USN 4(USH 4) |
| | HK 25 C N(P), DK 25 C N(P) | HK 25,X0N(P) 26 (X0N(P) 26 D),X 25,USN 2(USH 2),USN 3(USH 3),R 400 800 30 |
| | HK 24 C N(P) 80, DK 24 C N(P) 80 | HK 24, X0N(P) 28 (X0N(P) 28 D), X 24, USN 4(USH 4) |
| | HK 25 C N(P) 80, DK 25 C N(P) 80 | HK 25,X0N(P) 28 (X0N(P) 28),X 25,USN 2(USH 2),USN 3(USH 3),R 400 800 30 |

| | |
|-------------|---|
| K 24 C P | H-X 24, H-HK 24, H-X 0 P 26 S, H-USN 4 (H-UXX 4) |
| K 25 C P | H-X 25, H-HK 25, H-X 0 P 26 S, H-R 400 800 30, H-USN 2 (H-UXX 2), H-USN 3 (H-UXX 3) |
| K 24 C P 80 | H-X 24, H-HK 24, H-X 0 P 28 S, H-USN 4 (H-UXX 4) |
| K 25 C P 80 | H-X 25, H-HK 25, H-X 0 P 28 S, H-R 400 800 30, H-USN 2 (H-UXX 2), H-USN 3 (H-UXX 3) |
| K 24 C N | H-X 24, H-HK 24, H-X 0 N 26 S, H-USN 4 (H-UXX 4) |
| K 25 C N | H-X 25, H-HK 25, H-X 0 N 26 S, H-R 400 800 30, H-USN 2 (H-UXX 2), H-USN 3 (H-UXX 3) |
| K 24 C N 80 | H-X 24, H-HK 24, H-X 0 N 28 S, H-USN 4 (H-UXX 4) |
| K 25 C N 80 | H-X 25, H-HK 25, H-X 0 N 28 S, H-R 400 800 30, H-USN 2 (H-UXX 2), H-USN 3 (H-UXX 3) |

| | | | | | |
|---------------------------|-------|------|---------------------------|-------|--|
| H-HK 24 HK 24 DK 24 | 4 ks | | H-HK 25 HK 25 DK 25 | 4 ks | |
| | 4 ks | | | 4 ks | |
| | 1 ks | | | 1 ks | |
| | 8 ks | | | 10 ks | |
| | 1 ks | | | 1 ks | |
| | 2 ks | | | 2 ks | |
| | 1 ks | | | 1 ks | |
| | 1 ks | | | 1 ks | |
| | 16 ks | | | 20 ks | |
| | 16 ks | | | 20 ks | |
| 3 ks | | 3 ks | | | |

